

Cougar® Air/Hydraulic Vibrators



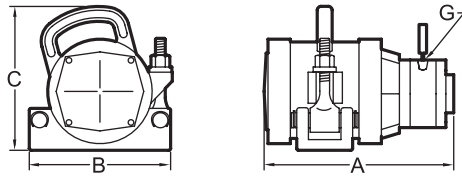
FEATURES

- Built from high-strength ductile iron for maximum durability.
- Efficient motor designed for minimal power consumption.
- Adjustable Eccentrics
- Low Maintenance
- Low Noise — muffler standard (air units only)
- Foot, clamp, and cradle mounts available.
- Designed to create more force per size/weight.
- Variable Speed
- Continuous Duty

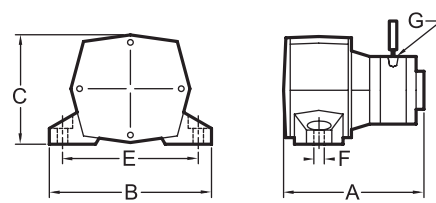
Specify Cougar for:

- Cost effective solutions
- Expert technical assistance
- Complete service and support

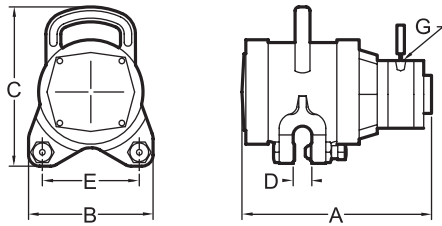
TECHNICAL DATA SHEET



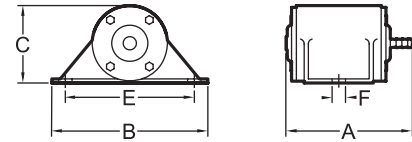
AC4 & AC3



AA4



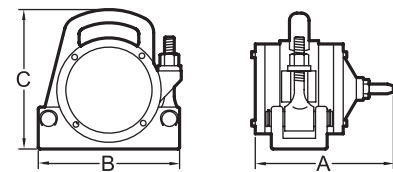
AL4 & AL3



AA15



AC15



AC11

DIMENSIONS (inch)

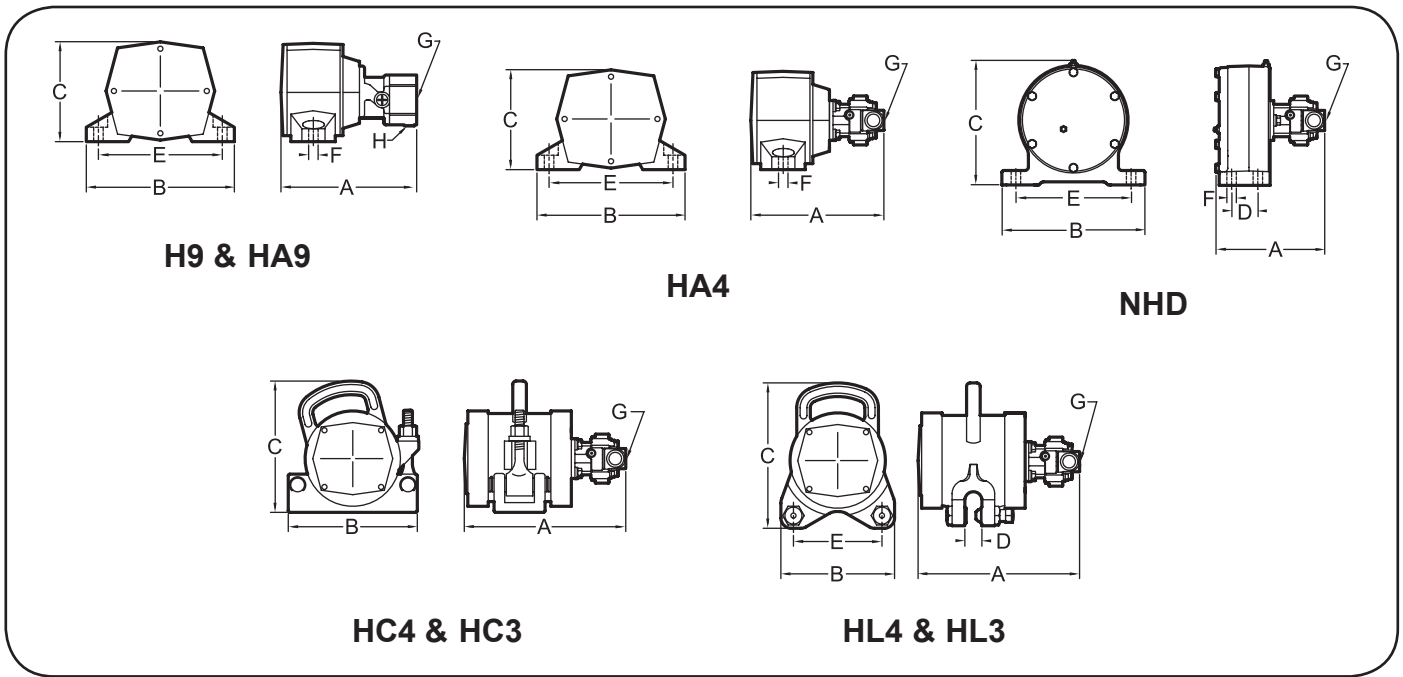
Model	A	B	C	Bolt Pattern		Bolt Size	Port NPT	Weight lbs
				D	E			
AA4-3300	10.188	10.000	6.625	—	8	5/8	3/8	40.25
AC4-3000	12.000	9.500	10.313	—	—	—	3/8	44.50
AC3-3500	12.000	9.500	10.313	—	—	—	3/8	50.00
AL4-3000	12.000	8.375	10.500	1 1/4	6 1/4	—	3/8	57.00
AL3-3500	12.000	8.375	10.500	1 1/4	6 1/4	—	3/8	58.50
AA15-2600	6.688	9.000	4.875	—	7	5/8	—	23.00
AC15-2600	6.750	6.813	4.813	—	—	—	—	17.00
AC11-5000	7.188	9.500	9.063	—	—	—	—	32.00
AC11-5000-S	8.563	9.500	9.063	—	—	—	—	35.75
AC11-6500	7.188	9.500	9.063	—	—	—	—	36.00

PERFORMANCE DATA

Model	In. Lbs.	40 PSI			60 PSI			MAX 80 PSI		
		VPM	Force Lbs.	CFM	VPM	Force Lbs.	CFM	VPM	Force Lbs.	CFM
AA4-3300	5.70	3600	2098	20	4800	3730	40	5600	5077	65
AC4-3000	5.00	2750	1074	15	4400	2749	40	5000	3550	65
AC3-3500	10.10	2000	1147	13	3300	3124	40	3800	4142	55
AL4-3000	5.00	2750	1074	15	4100	2387	40	58000	3550	65
AL3-3500	10.10	2000	1147	13	3300	3124	40	3800	4142	55
AA15-2600	0.55	8645	1167	27	10498	1721	30	12350	2382	38
AC15-2600	0.55	8645	1167	27	10498	1721	30	12350	2382	38
AC11-5000	1.40	9980	3960	37	12115	5836	41	14250	8074	52
AC11-5000-S	4.30	5670	3926	34	6885	5789	38	8100	8012	48
AC11-6500	2.20	9800	6001	42	11900	8848	46	14000	12246	59



TECHNICAL DATA SHEET



DIMENSIONS (inch)

Model	A	B	C	Bolt Pattern		Bolt Size	Port NPT	Case Drain	Weight lbs
				D	E	F	G	H	
H9-500	6.250	6.750	4.625	—	5 ½	¾	¾	⅞	11
HA9-1600	9.750	7.375	4.625	—	6	½	¾	⅞	20
HA4-3300	11.125	10.000	6.625	—	8	¾	¾	⅞	39
NHD-110	7.500	10.000	8.688	2	8	¾	¾	—	38
HC4-3000	11.438	9.500	10.313	—	—	—	¾	⅞	42
HC3-3500	11.438	9.500	10.313	—	—	—	¾	⅞	45
HL4-3000	11.438	8.375	10.500	1 ¼	6 ¼	—	¾	⅞	52
HL3-3500	11.438	8.375	10.500	1 ¼	6 ¼	—	¾	⅞	58

PERFORMANCE DATA

Model	VPM	GPM	VPM	GPM	VPM	GPM	MAX PSI
H9-500	4000	2.79	6000	4.18	9000	6.25	1500
HA9-1600	4000	2.79	6000	4.18	9000	6.25	1500
HA4-3300	2000	1.39	3000	2.09	4500	3.15	2000
NHD-110	2000	1.89	3000	2.83	4000	3.50	2000
HC4-3000	2000	2.80	3000	4.19	4600	6.43	2000
HC3-3500	2000	2.80	3000	4.19	3500	4.89	2000
HL4-3000	2000	2.80	3000	4.19	4600	6.43	2000
HL3-3500	2000	2.80	3000	4.19	3500	4.89	2000

